

Screw Thread Micrometers

SERIES 326, 126 — Interchangeable Anvil-Spindle Tip Type



FEATURES

- IP65 water/dust protection (Series 326).
- 60 degree or 55 degree V-anvil and conical spindle (interchangeable) are optional, which are made of high-grade special steel, hardened and precision ground.
- With Ratchet Stop for constant force.
- With SPC output (Series 326).
- With a standard bar except 0 - 25mm and 0 - 1" model.
- Supplied in fitted plastic case.



126-125
Shown with optional anvils



326-351-10

SPECIFICATIONS

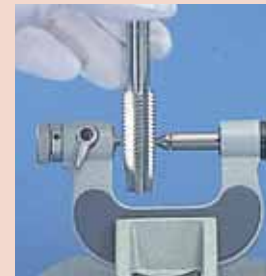
Metric		Digital model		
Range	Resolution	Order No.	Accuracy	Mass (g)
0 - 25mm	0.001mm	326-251-10	±4µm	350
25 - 50mm	0.001mm	326-252-10	±4µm	380
50 - 75mm	0.001mm	326-253-10	±4µm	470
75 - 100mm	0.001mm	326-254-10	±5µm	510

Inch/Metric		Digital model		
Range	Resolution	Order No.	Accuracy	Mass (g)
0 - 1" / 0 - 25.4mm	.00005" / 0.001mm	326-351-10	±.0002"	350
1 - 2" / 25.4 - 50.8mm	.00005" / 0.001mm	326-352-10	±.0002"	380
2 - 3" / 50.8 - 76.2mm	.00005" / 0.001mm	326-353-10	±.0002"	470
3 - 4" / 76.2 - 101.6mm	.00005" / 0.001mm	326-354-10	±.00025"	510

Metric				
Range	Graduation	Order No.	Accuracy	Mass (g)
0 - 25mm	0.01mm	126-125	±4µm	240
25 - 50mm	0.01mm	126-126	±4µm	290
50 - 75mm	0.01mm	126-127	±4µm	390
75 - 100mm	0.01mm	126-128	±5µm	450
100 - 125mm	0.01mm	126-129	±5µm	530
125 - 150mm	0.01mm	126-130	±5µm	620
150 - 175mm	0.01mm	126-131	±6µm	730
175 - 200mm	0.01mm	126-132	±6µm	860
200 - 225mm	0.01mm	126-133	±6µm	1,030
225 - 250mm	0.01mm	126-134	±7µm	1,200
250 - 275mm	0.01mm	126-135	±7µm	1,370
275 - 300mm	0.01mm	126-136	±7µm	1,540

Inch				
Range	Graduation	Order No.	Accuracy	Mass (g)
0 - 1"	.001"	126-137	±.0002"	240
1 - 2"	.001"	126-138	±.0002"	290
2 - 3"	.001"	126-139	±.0002"	390
3 - 4"	.001"	126-140	±.00025"	450
4 - 5"	.001"	126-141	±.00025"	530
5 - 6"	.001"	126-142	±.00025"	620

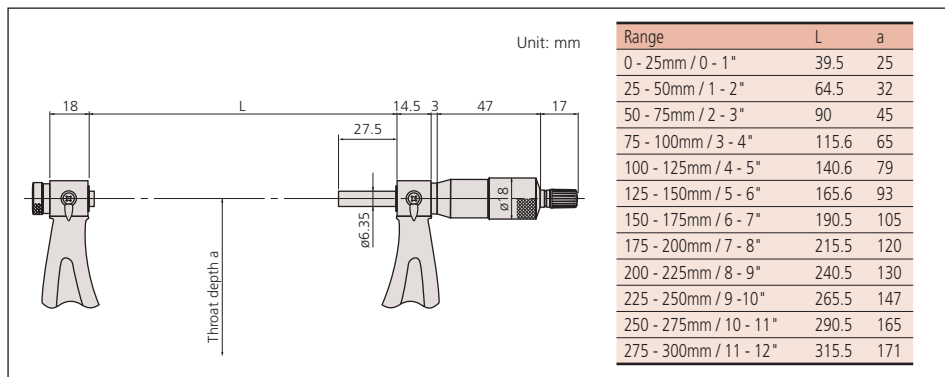
Inch		With anvil set (126 - 800)		
Range	Graduation	Order No.	Accuracy	Mass (g)
0 - 1"	.001"	126-901	±.0002"	240
1 - 2"	.001"	126-902	±.0002"	290
2 - 3"	.001"	126-903	±.0002"	390
3 - 4"	.001"	126-904	±.00025"	450
4 - 5"	.001"	126-905	±.00025"	530
5 - 6"	.001"	126-906	±.00025"	620



Anvil-spindle tip set:
For Metric/Unified screws (60° threads)

Order No.	Included in set
126-800	0.4 - 0.5mm/64 - 48TPI (126-801) 0.6 - 0.9mm/44 - 28TPI (126-802) 1 - 1.75mm/24 - 14TPI (126-803) 2 - 3mm/13 - 9TPI (126-804) 3.5 - 5mm/8 - 5TPI (126-805) 5.5 - 7mm/4.5 - 3.5TPI (126-806)

DIMENSIONS



For Whitworth screws (55° threads)

Order No.	Assortment of anvil-spindle tips
126-810	60 - 48TPI (126-811) 48 - 40TPI (126-812) 40 - 32TPI (126-813) 32 - 24TPI (126-814) 24 - 18TPI (126-815) 18 - 14TPI (126-816) 14 - 10TPI (126-817) 10 - 7TPI (126-818) 7 - 4.5TPI (126-819) 4.5 - 3.5TPI (126-820)