

# Outside Micrometers

**SERIES 340, 104 — with Interchangeable Anvils, Inch model**

## FEATURES

- IP65 water/dust protection (Series 340\*).  
\*Models with a range up to 300mm.
- Wide measuring range with interchangeable anvils.
- With a Ratchet Stop for constant force.
- Supplied with zero-setting standards bar for each range.
- With SPC output (Series 340).
- Supplied in fitted wooden case.



## SPECIFICATIONS

**Inch/Metric** Digital model

Range	Resolution	Order No.	Mass (kg)	Remarks
0-6" / 0-152.4mm	.00005" / 0.001mm	<b>340-351-10</b>	0.96	with 6 anvils & 5 standards
6-12" / 152.4 - 304.8mm	.0001" / 0.001mm	<b>340-352-10</b>	1.88	with 6 anvils & 6 standards
12-18" / 304.8 - 457.2mm	.0001" / 0.001mm	<b>340-713</b>	4.75	with 6 anvils & 6 standards
18-24" / 457.2 - 609.6mm	.0001" / 0.001mm	<b>340-714</b>	6.62	with 6 anvils & 6 standards
24-30" / 609.6 - 762.0mm	.0001" / 0.001mm	<b>340-715</b>	10.06	with 6 anvils & 6 standards
30-36" / 762.0 - 914.4mm	.0001" / 0.001mm	<b>340-716</b>	11.98	with 6 anvils & 6 standards

## Inch

Range	Graduation	Order No.	Mass(kg)	Remarks
0-2"	.0001"	<b>104-165*</b>	0.32	with 1" anvil & 1 standard
0-6"	.001"	<b>104-137</b>	1.35	with 6 anvils & 5 standards
6-12"	.001"	<b>104-138</b>	2.65	with 6 anvils & 6 standards
12-16"	.001"	<b>104-152</b>	3.31	with 4 anvils & 4 standards
12-18"	.001"	<b>104-201</b>	4.69	with 6 anvils & 6 standards
16-20"	.001"	<b>104-153</b>	4.81	with 4 anvils & 4 standards
18-24"	.001"	<b>104-202</b>	6.51	with 6 anvils & 6 standards
20-24"	.001"	<b>104-154</b>	6.35	with 4 anvils & 4 standards
24-28"	.001"	<b>104-155</b>	7.72	with 4 anvils & 4 standards
24-30"	.001"	<b>104-203</b>	9.95	with 6 anvils & 6 standards
28-32"	.001"	<b>104-156</b>	9.08	with 4 anvils & 4 standards
30-36"	.001"	<b>104-204</b>	11.87	with 6 anvils & 6 standards
32-36"	.001"	<b>104-157</b>	10.41	with 4 anvils & 4 standards
36-40"	.001"	<b>104-158</b>	11.78	with 4 anvils & 4 standards
36-42"	.001"	<b>104-205</b>	13.68	with 6 anvils & 6 standards

\*.0001" reading is obtained with vernier.



## Technical Data

Accuracy:  $\pm[.00016" + .00004 (L/3)"]$  L = Max Range (Inch) (excluding quantizing error for digital models)  
 Resolution\*: .0001"/0.001mm  
**(340-351-10): .00005"/0.001mm)**  
 Graduation\*: .001" (**104-165**: is .0001")  
 Flatness: .000024" for models up to 12"  
 .00004" for models over 12"  
 Parallelism: .00008" for models up to 3"  
 .00012" for models up to 6"  
 $\pm[.00008" + .00004 (L/4)"]$  L = Max range (inch)  
 Measuring faces: Carbide tipped (spindle only)  
 Display\*: LCD  
 Battery\*: SR44 (1 pc.), **938882**  
 Battery life\*: Approx. 1.2 years under normal use  
 Dust/Water protection level\*: IP65  
 \*Digital models \*\*Analog models

## Function of Digital Model

Zero / ABS, Data hold, Preset, Data output, inch/mm conversion (on inch/metric models only)  
 Alarm: Low voltage, Counting value composition error  
 Function Lock\*\*\*  
 2 Presets\*\*\*  
 \*\*\*100 - 300mm / 4 - 12" Models

## Optional Accessories for Digital Model

**05CZA662**: SPC cable with data switch (1m / 40")  
**05CZA663**: SPC cable with data switch (2m / 80")



# Outside Micrometers

**SERIES 340, 104 — with Interchangeable Anvils, Metric Model**

## Technical Data

Accuracy:  $\pm(4+R/75)\mu\text{m}$ , R=max. range (mm)  
 (excluding quantizing error for digital models)

Resolution\*: 0.001mm

Graduation\*\*: 0.01mm

Flatness: 0.6 $\mu\text{m}$  for models up to 300mm

1 $\mu\text{m}$  for models over 300mm

Parallelism: 2 $\mu\text{m}$  for models up to 75mm

3 $\mu\text{m}$  for models up to 150mm

(2+R/100) $\mu\text{m}$  for models over 150mm, R=max. range (mm)

Measuring faces: Carbide tipped (spindle only)

Display\*: LCD

Battery\*: SR44 (1 pc.), **938882**

Battery life\*: Approx. 1.2 years under normal use

Dust/Water protection level\*: IP65

\*Digital models \*\*Analog models

## Function of Digital Model

Zero / ABS, Data hold, Preset, Data output,  
 inch/mm conversion (on inch/metric models only)

Alarm: Low voltage, Counting value composition error

Function Lock\*\*\*

2 Presets\*\*\*

\*\*\*100 - 300mm / 4 - 12" Models

## Optional Accessories for Digital Model

**05CZA662**: SPC cable with data switch (1m / 40")

**05CZA663**: SPC cable with data switch (2m / 80")

## FEATURES

• IP65 water/dust protection (Series 340\*).  
 \*Models with a range up to 300mm.

• Wide measuring range with interchangeable anvils.

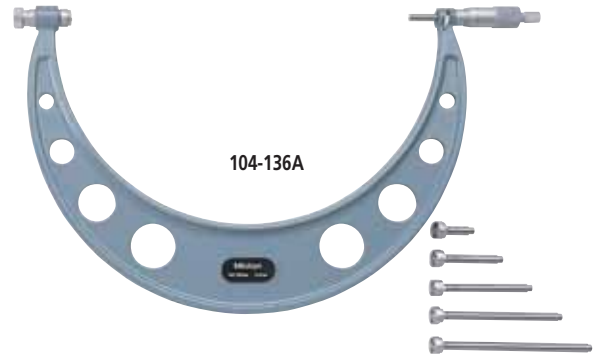
• With a Ratchet Stop for constant force.

• Supplied with zero-setting standards bar for each range.

• With SPC output (Series 340).

• Supplied in fitted wooden case.

## Digital model



## SPECIFICATIONS

**Metric** Digital model

Range	Resolution	Order No.	Mass (kg)	Remarks
0 - 150mm	0.001mm	<b>340-251-10</b>	0.96	with 6 anvils & 5 standards
150 - 300mm	0.001mm	<b>340-252-10</b>	1.88	with 6 anvils & 6 standards
300 - 400mm	0.001mm	<b>340-513</b>	3.31	with 4 anvils & 4 standards
400 - 500mm	0.001mm	<b>340-514</b>	4.81	with 4 anvils & 4 standards
500 - 600mm	0.001mm	<b>340-515</b>	6.35	with 4 anvils & 4 standards
600 - 700mm	0.001mm	<b>340-516</b>	7.72	with 4 anvils & 4 standards
700 - 800mm	0.001mm	<b>340-517</b>	9.08	with 4 anvils & 4 standards
800 - 900mm	0.001mm	<b>340-518</b>	10.41	with 4 anvils & 4 standards
900 - 1000mm	0.001mm	<b>340-519</b>	11.78	with 4 anvils & 4 standards

**Metric**

Range	Graduation	Order No.	Mass (kg)	Remarks
0 - 50mm	0.01mm	<b>104-171*</b>	0.32	with 2 anvils & 1 standards
0 - 100mm	0.01mm	<b>104-139A</b>	0.79	with 4 anvils & 3 standards
0 - 150mm	0.01mm	<b>104-135A</b>	1.35	with 6 anvils & 5 standards
50 - 150mm	0.01mm	<b>104-161A</b>	1.35	with 4 anvils & 4 standards
100 - 200mm	0.01mm	<b>104-140A</b>	1.38	with 4 anvils & 4 standards
150 - 300mm	0.01mm	<b>104-136A</b>	2.65	with 6 anvils & 6 standards
200 - 300mm	0.01mm	<b>104-141A</b>	2.22	with 4 anvils & 4 standards
300 - 400mm	0.01mm	<b>104-142A</b>	3.31	with 4 anvils & 4 standards
400 - 500mm	0.01mm	<b>104-143A</b>	4.81	with 4 anvils & 4 standards
500 - 600mm	0.01mm	<b>104-144A</b>	6.35	with 4 anvils & 4 standards
600 - 700mm	0.01mm	<b>104-145A</b>	7.72	with 4 anvils & 4 standards
700 - 800mm	0.01mm	<b>104-146A</b>	9.08	with 4 anvils & 4 standards
800 - 900mm	0.01mm	<b>104-147A</b>	10.41	with 4 anvils & 4 standards
900 - 1000mm	0.01mm	<b>104-148A</b>	11.78	with 4 anvils & 4 standards

\*The frame is in a heat insulated cover

## DIMENSIONS

