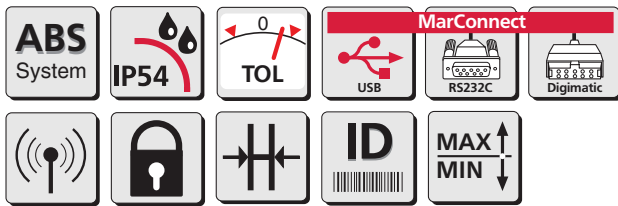


Inductive Digital Comparator μ Max μ m® II



Features

Functions:

- Inch/Metric – operator selectable with switchable resolution.
- Normal / Reverse Sensing
- Preset capabilities to view actual size
- “Absolute” Transducer – no overspeed errors or constant re-zeroing. Transducer always remembers its location, even if power is off
- High resolution digital readout and analog bar graph – digital display shows deviation from zero or actual dimension size (Preset)
- Lightweight, contamination resistant – ruggedly built to withstand hard use – gasketed case, crystal and stem assemblies resist fluid contamination
- Calibratable – if ever needed – values remembered even after battery change.
- MarConnect data output: USB, OPTO RS232C, Digimatic
- Auto-power down – provides extremely low battery consumption, assuring long life from readily available commercial batteries.
- Increased resolution (0.0002 mm / 10 μ inch) for today’s demanding tolerances
- Unilateral Tolerances
- Go/NoGo Display Feature

Mode A:

Actual value + bargraph
Display of tolerance



Mode B:

GO/NOGO display



Advanced Functions:

- Dynamic mode operation: Max, Min, TIR
- Two point difference measurement – provides comparison of two readings or measuring locations.
- $\frac{+}{-}$ - Calculate the distance between 2 measured values
- Multiplier factor for ratio measurements
- Hold function – holds reading on display until ready to resume measuring
- ID Data output with serial number identification capability
- Data output with selectable continuous output or single request of reading(s)

Optional Factory Configured Features:

- Locked Multiplier factor for ratio measurements
- Disabled sleep mode (manual ON/OFF)
- Locked inch or mm display unit
- Power up in inch or mm unit on battery change
- Calibration mode lockout (with password entry)
- Setup mode lockout with password entry

Technical Data

Model	Range		Resolution		Accuracy % of digital range	Stem diameter	Stem Length		Order no.
	mm	inch	mm	inch			mm	inch	
Standard						0.375"	11.7	0.46"	2034101
Standard			0.0002	0.00001"		0.375"	38.0	1.50"	2034103
Standard			0.0005	0.00002"	±0.25% over	8 mm	11.7	0.46"	2034105
Standard			0.001	0.00005"	±0.50 mm / ±0.020"	8 mm	38.0	1.50"	2034107
Advanced	±1.00	±0.040"	0.002	0.00001"	±0.50% from	0.375"	11.7	0.46"	2034201
Advanced			0.005	0.0002"	to	0.375"	38.0	1.50"	2034203
Advanced			0.01	0.0005"	±1.00 mm / ±0.040"	8 mm	11.7	0.46"	2034205
Advanced			0.02	0.001"		8 mm	38.0	1.50"	2034207
Advanced Perpendicular						0.375"	11.7	0.46"	2034401

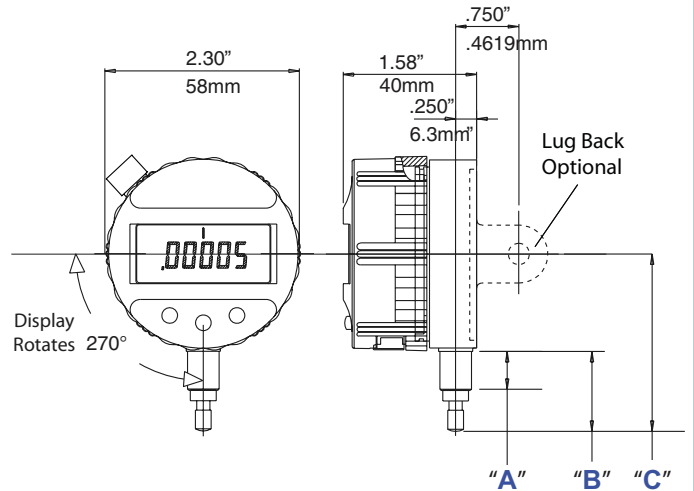
Technical Data

Display Range:	±1.067 mm / ±0.042"
Spindle Range:	-1.25 to 1.50 mm / -0.050 to +0.060"
Resolution:	0.0002 mm / 0.00001"
Accuracy:	±0.5mm range: 1.25µm (0.25%)
(% of range)	±1.0mm range: 5.0µm (0.50%)
	±0.020" range: 50µin (0.25%)
	±0.040" range: 200µin (0.50%)
Gaging Force:	85 to 122 g (grams) - at center of travel
	3 to 4 oz (ounce) - at center of travel
Weight:	170 g / 6 oz
Spindle Velocity:	Unrestricted
Temperature Operating:	5° to 54°C / 40° to 130°F
Storage:	-17° to 60°C / 0° to 140°F
Repeatability:	± 1 LSD (Least Significant Digit)
Battery Life:	6000 hours ~ 12 months normal usage*

* normal usage= 12 hr/day x 7 day/wk

Contact Point:	(PT-223 radiused tip, 4-48 thread, furnished on 0.375" dia. Stem model) EPT-1037-W1 radiused tip, M2.5 thread furnished on 8 mm dia. stem model
Power:	3 volt lithium coin cell (2 per unit), type CR 2450. Order no. EBY-1018
Display:	Rotates through 270°

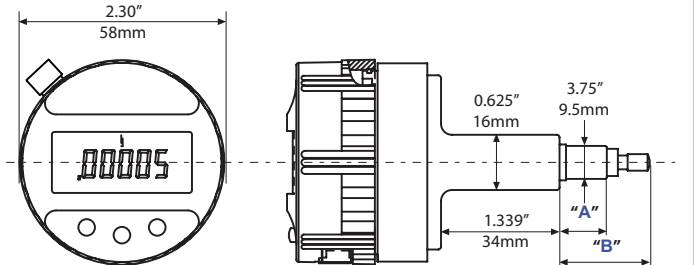
Standard Model



For contact points please refer to pages 5-25, 5-27, 5-25 & 5-53

Dimensions mm / inch	A	B	C
	11.7 / 0.46"	24.1 / 0.95"	53.6 / 2.11"
	38.0 / 1.50"	57.2 / 2.25"	86.6 / 3.41"

Perpendicular Model



Accessories

	Order no.		Order no.
Backs:		Other Hardware:	
Flat Back (Standard on all models)	EBK-1018	Splash Cover	ECV-1307-W2
Post Back (0.5" dia. x 1" long)	EBK-1012	Adaptor Bushing (8 mm to 3/8")	BU-197
Lug Back (Horizontal / Vertical)	EBK-1010	Thread Adaptor (M2.5 to 4-48 thread)	AD-185
Screw Back (11/16" dia x 0.5", 1/4-28 thread)	EBK-1013	Spring (for lighter gaging force: 35g)	SP-351
Adj. Slide Back (0.5" slot, 1/4-20 thread)	EBK-1016		
Adj. Rack Back*	EBK-1014		
<i>* used on AT-28 or AT-116 - Sold seperately.</i>			
Data Interface:		<i>For further mounting accessories refer to page 6-13</i>	
USB Cable (for MarCom or PC, 2m length)	4346023		
RS232 Cable (10 pin plug, 2m length)	4346020		
Digimatic Cable (10 pin plug, 2m length)	4346021		
Transmitter (Mahr t, used w/ FM1 Receiver)	2121369		